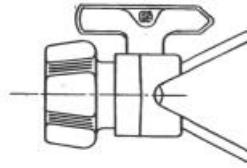




SELF-CLEANING AIRLESS SPRAY NOZZLE ASSEMBLY

604-01

BLAST-A-WAY® MK IV *Speedy* 4



WARNING - FLUID INJECTION HAZARD

- ⇒ NEVER remove or cut off the tip guard
- ⇒ NEVER put hands or fingers in front of spray nozzle
- ⇒ NEVER point a spray gun at any part of your body or anyone else.
- ⇒ NEVER leave the gun unattended when not in use.
- ⇒ ALWAYS release pressure and apply safety trigger lock

FEATURES

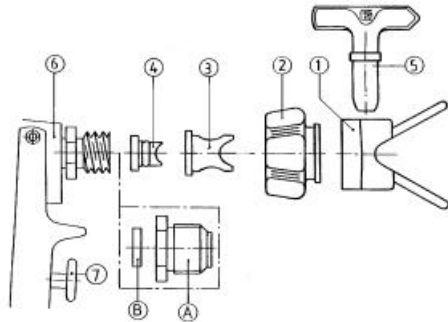
- ⇒ Fits all popular airless spray guns.
- ⇒ Low friction turning
- ⇒ Quick cylinder change by hand without tools.
- ⇒ Hand tightened seal system
- ⇒ Assy. suitable for solvent and waterbound paints.
- ⇒ Maximum working pressure: **400 bar, 5800 PSI**

TYPE OF AIRLESS GUN USED (fig 6)		GRACO SPEEFLO TITAN	DeVILBISS KREMLIN MERCURY SEARS	BINK'S 505	BÖLLHOFF DETE ECCO FINISHING KRAUTZBERGER	ASAHI IWATA SEIWA	AIRLESSCO ASTURO HÜBNER LARIUS TAIVER WAGNER/WIWA
TYPE OF THREADS LAST DIGIT CODES		7/8x14 2	3/8 NPS 3	3/4x20 4	M18x1 5	M18x1,5 6	11/16x16 7

DESCRIPTION & REFERENCES

1,2,3,4.	Complete unit MK IV	88-452	88-453	88-454	88-455	88-456	88-457
1	Safety guard	88-506	88-506	88-536	88-536	88-536	88-536
2	Adapter	88-512	88-512	88-544	88-545	88-546	88-547
3	Housing St.St.	88-404	88-404	88-434	88-434	88-434	88-434
4	Seal kit.	88-463	88-463	88-463	88-463	88-463	88-463
A	Pre-Adapter St.St		88-523	OPTION: fits assy. 88-552			88-527
B	Gasket		21-008				21-008

EXPLODED VIEW of MK IV ASSY.



TIP CYLINDER CATEGORY LEGEND (fig 5)

88-401	⇒ STD Standard TIP cylinder REF: xxx tip size xxx e.g. 521= 50° .021"
88-402	⇒ SF Superfine finish TIP cylinder REF: xxx tip size xxx e.g. 412= 40° .012"
88-400	⇒ LM Linemarking TIP cylinder REF: xxx tip size xxx e.g. 339 =30° .039"



BASE UNITS

- 88-452 Base unit fits 7/8 x 14
- 88-453 Base unit fits 3/8 NPS
- 88-454 Base unit fits 3/4 20
- 88-455 Base unit fits M18 x 1
- 88-456 Base unit fits M18 x 1.5
- 88-457 Base unit fits 11/16 x 16

SPRAY TIPS & TIP & SEAL KITS

- 88-401 Standard tip cylinder
- 88-491 Standard tip & seal kit
- 88-402 SF Superfine tip cylinder
- 88-492 SF Superfine tip & seal kit
- 88-400 LM Linemarking tip cylinder
- 88-490 LM Linemarking tip cylinder

SPARE PARTS

- 88-506 Safety guard No 2 and 3
- 88-536 Safety guard Nos 4, 5, 6, 7
- 88-512 Adaptor
- 88-544 Adaptor
- 88-545 Adaptor
- 88-546 Adaptor
- 88-547 Adaptor
- 88-404 Housing stainless steel No 2 and 3
- 88-434 Housing stainless steel No 4, 5, 6, 7
- 88-463 Seal kit
- 88-523 Pre-adaptor 3/8 NPS F – 7/8 x 14 M
- 88-527 Pre-adaptor 11/16x16 F – 7/8 x 14 M
- 21-008 Gasket

QUANTITY DISCOUNTS ARE AVAILABLE

10+ LESS 10% 30+ LESS 15%

IMPORTANT NOTE

Speedy IV tip and seal kits are interchangeable into ASM, WAGNER & GRACO RAQ systems.
The tip cylinders must be fitted with the matching seal supplied.